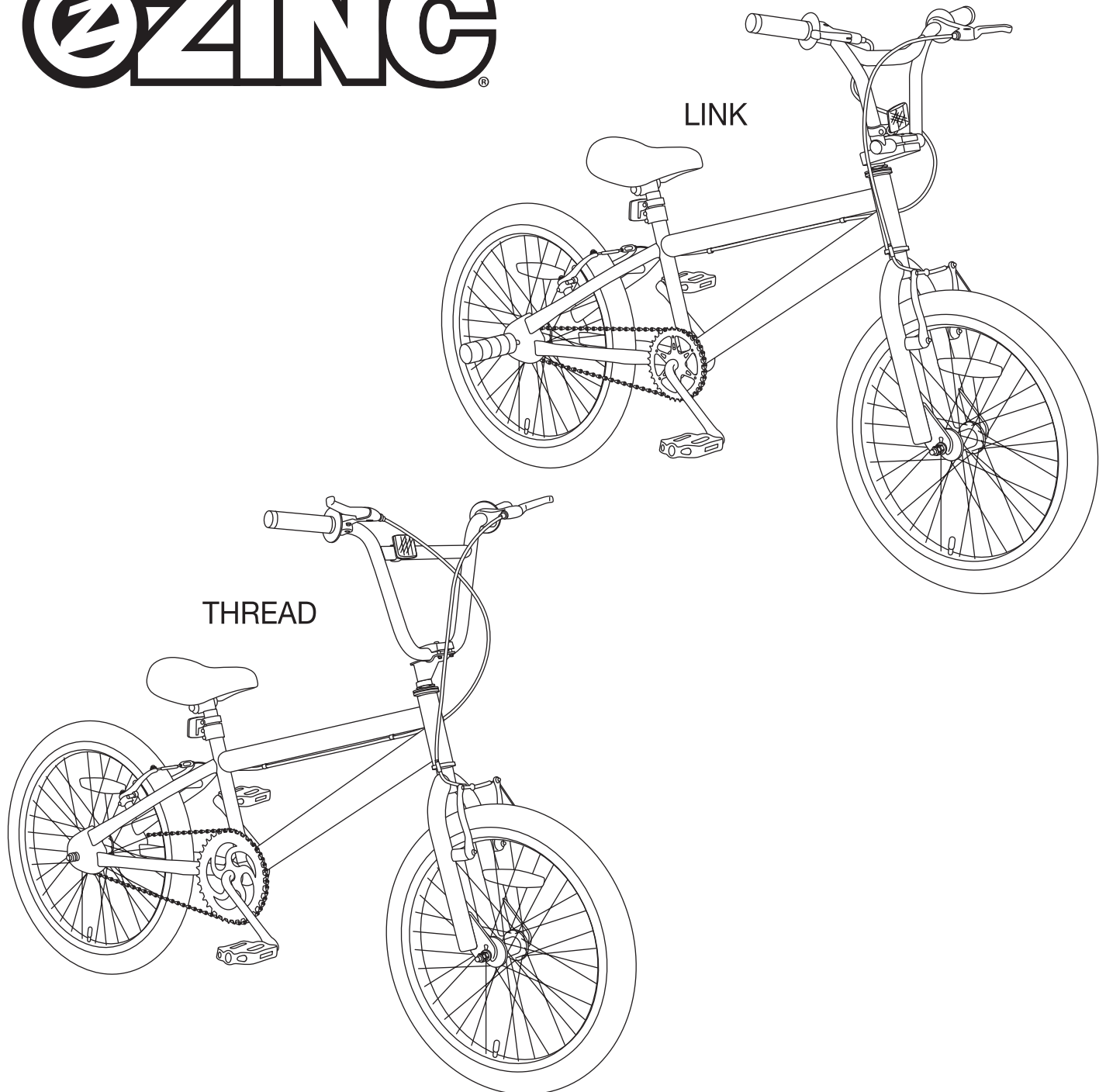


# ZINC 20 inch BMX - Thread and Link

Instruction Manual

218/8872

239/4934



**Important - Please take time to read the instructions carefully**

This BMX is supplied with a chainguard fitted.

These instructions contain important information that will help you get the best from your BMX, ensuring safe and correct assembly, use and maintenance.

If you need help or have damaged or missing parts, call the Customer Helpline on 01582 670100 or visit [www.zincHQ.com](http://www.zincHQ.com)

In the Box .....	5
Parts .....	5
Tools .....	5
Assembly .....	6
Step 1 .....	6
Step 2 .....	7
Step 3 .....	8
Step 4 .....	9
Step 5 .....	10
Step 6 .....	13
Step 7 .....	14
Riding Advice.....	15
Before Riding .....	15
Using the Brake .....	15
Riding Using Personal Music Players .....	15
Riding in Bad Weather .....	16
Riding in the Dark .....	16
Maintenance.....	17

## Important - Please read instructions fully before starting assembly



**WARNING!** This Bike has been designed, assembled and tested in accordance with the EN14766:2005 standard to ensure your safety. To make sure the bike remains safe, it should only be used for recreational use. Under no circumstances should it be used for competitive cycling, stunting, jumping or acrobatic manoeuvres. These types of cycling may result in serious personal injury and damage to the bike.

**WARNING!** Always wear a cycle helmet when riding the bike. The helmet should be the correct size for your head and must conform to the European Standard EN1078:2012+A1:2012.

**WARNING!** When riding in the dark, always make sure that the bike is fitted with suitable reflectors and use a white front light and a red rear light.

**WARNING!** Always take extra care when riding in wet, foggy, windy or icy conditions. The brakes may not be as effective and the braking distances may be increased.

**WARNING!** Always wear suitable cycling clothing when riding the bike. Loose clothing which may get caught in moving parts should be avoided.

**WARNING!** This bike is only suitable for use by riders (including any panniers and/or luggage) with total weight including the bike of 90 kg (198 lb) or less.

**WARNING!** When assembling the seat post, make sure it is inserted beyond the minimum insert mark. Failure to observe this warning may lead to a potentially unstable seat post and may result in serious personal injury.

**WARNING!** The front and rear tyres must be fully inflated before attempting to ride the bike. Under no circumstances should the tyres be inflated above the maximum pressure stated on the side of the tyres.

**WARNING!** Only inflate the front and rear tyres of the bike using a bicycle pump. Do not attempt to use another type of pump to inflate the tyres.

**WARNING!** As with all mechanical components, the bike is subjected to wear and high stresses. Different materials and components may react to wear, stress or fatigue in different ways. If the design life of a component has been exceeded, it may suddenly fail, possibly causing injuries to the rider. Any form of crack, scratches or change of colouring in highly stressed areas indicate that the life of the component has been reached and it should be replaced.

**WARNING!** Ensure only genuine replacement parts are used, especially for safety critical parts.

The rider shall follow the national legal requirements when use on public roads.  
(e.g. lighting and reflectors)

For spares and replacement parts please visit [www.zincHQ.com](http://www.zincHQ.com)



Hy-Pro House, Arenson Way, Centrus Park, Dunstable LU5 5BN

## Important - Please read instructions fully before starting assembly



**CAUTION!** Only use suitable tools to assemble the bike. The use of unsuitable tools may lead to personal injury and damage to the bike.

**CAUTION!** Always ensure all packaging is removed from the bike before assembly and use. Failure to remove the packaging may prevent the correct operation and may lead to personal injury and damage to the bike.

**CAUTION!** The safety and smooth running of the bike can only be preserved with regular maintenance. Always ensure the bike is maintained in accordance with the supplied maintenance manual.

**CAUTION!** Before attaching the handlebar assembly, make sure all the cables are free to move and are not tangled. Failure to observe this caution may prevent correct operation and may lead to personal injury and damage to the bike.



**IMPORTANT!** Before assembling the bike, check all the parts indicated in the manual are in the box. Inspect the parts for signs of damage. Do not assemble the bike if you observe any damaged components.



**IMPORTANT!** Always take care when removing the packaging to prevent damage to the bike.

**NOTE!** Always recycle the packaging in accordance with local recycling schemes.

**NOTE!** The pedals and crank arms have colour coded stickers to indicate which pedal matches which Crank Arm.

**NOTE!** The threads on the left and right pedals are different. To prevent damage to the threads, only tighten the pedals in the direction indicated on the stickers.

## Recommended Tightening Information

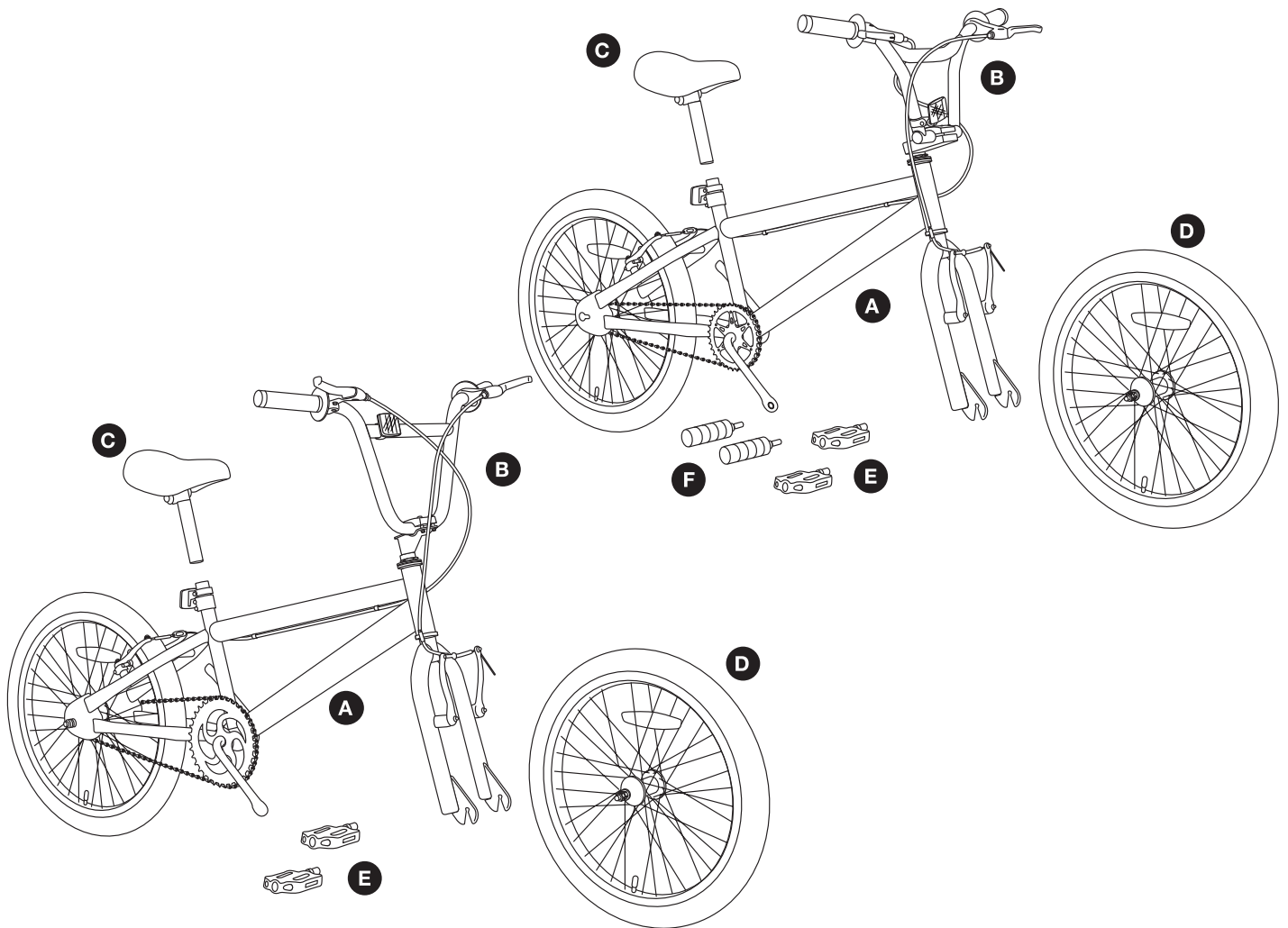
While assembling the bike, it is recommended that, where possible, a torque spanner is used to tighten nuts and bolts. The table below provides a list of torque settings for the various nuts and bolts.

Front Wheel Nuts	22 - 27 Newton Metres
Rear Wheel Nuts	24 - 29 Newton Metres
Seat Binding Nut	12 - 17 Newton Metres
Seat Pillar Clamp Nut	4 - 19 Newton Metres
Brake Anchor Nut	7 - 11 Newton Metres
Handle Bar Clamp Nut	5 - 19 Newton Metres
Head Stem Expander Bolt	17 - 19 Newton Metres
Crank Cotter Pin Nuts	5 - 10 Newton Metres
Brake Centre Bolt	5 - 7 Newton Metres
Pedals	35 - 40 Newton Metres

# In the Box

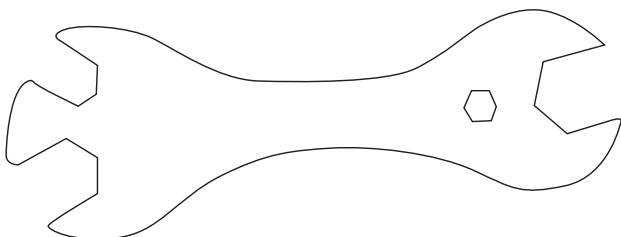
Customer Helpline **01582 670100**

## Parts

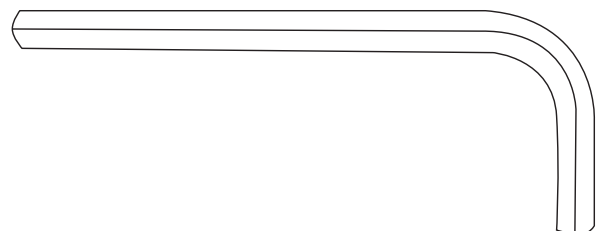


- A** Bike (supplied with rear wheel assembled)
- B** Handlebar and stem
- C** Seat post and saddle
- D** Front wheel
- E** Pedals (supplied in separate box)
- F** Pegs (Link bike only)

## Tools



**Multitool (supplied in separate box)**



**Hexagonal key (supplied in separate box)**

## Step 1



**IMPORTANT!** Before assembling the bike, check all the parts indicated in the manual are in the box. Inspect the parts for signs of damage. Do not assemble the bike if you observe any damaged components.

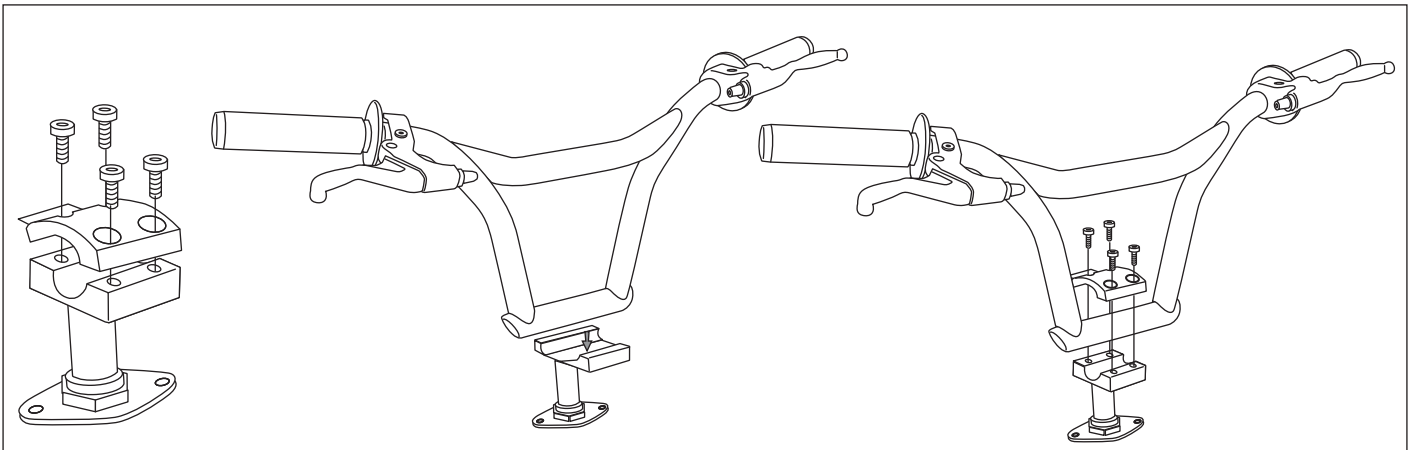
**IMPORTANT!** Always take care when removing the packaging to prevent damage to the bike.

1. Remove the bike from the box and carefully remove all packaging. The following types of packaging are used to protect the bike during transit:
  - Cardboard Wrapping - This is used to protect the painted surfaces of the bike frame.
  - Cable Ties - These are used to secure loose parts to the partially assembled bike.
  - Stem Caps - These are placed in unprotected ends of the bike frame.
  - Axle Protectors - These are used to protect the outer edges of the front and rear wheel axles.
  - Fork Protectors - These are used to prevent the suspension forks from bending or being damaged.
2. The packaging should be retained until the bike is fully assembled. Use the box to store the packaging during assembly.



**NOTE!** Always recycle the packaging in accordance with local recycling schemes.

## Step 2



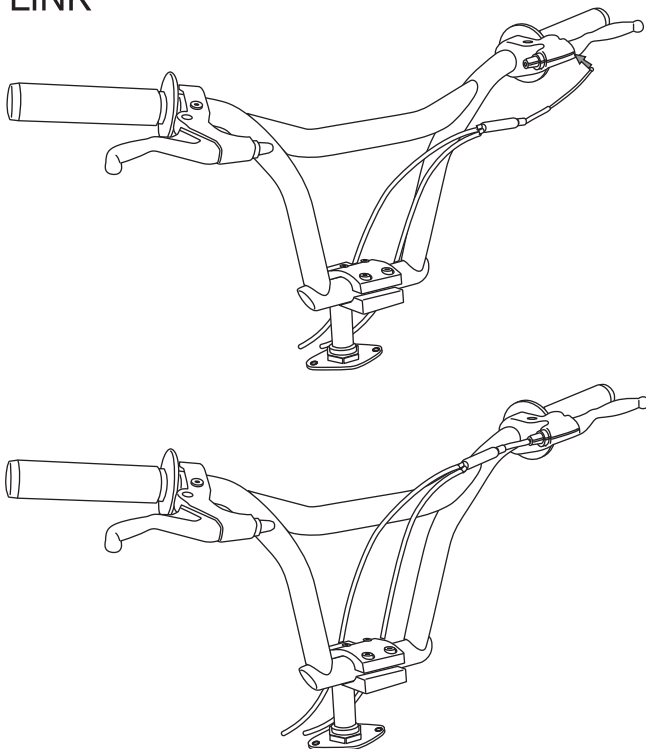
### 2a Assembling the Handlebars.

Loosen the stem cap bolts from the stem and remove the stem cap.

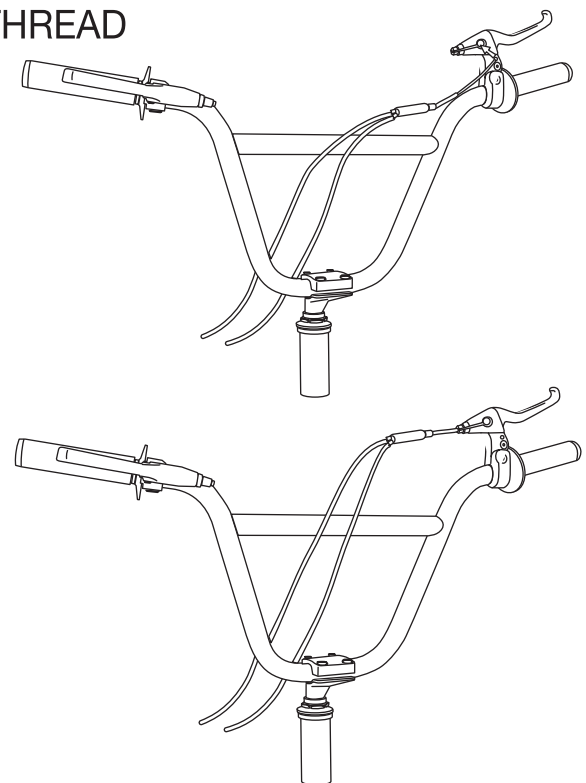
Place the centre of the handlebar in the open stem and replace the stem cap in position.

Carefully replace the stem cap bolts taking care to tighten them evenly and firmly. Tighten the top Left corner first, then bottom right, bottom left and finally top right.

### LINK



### THREAD

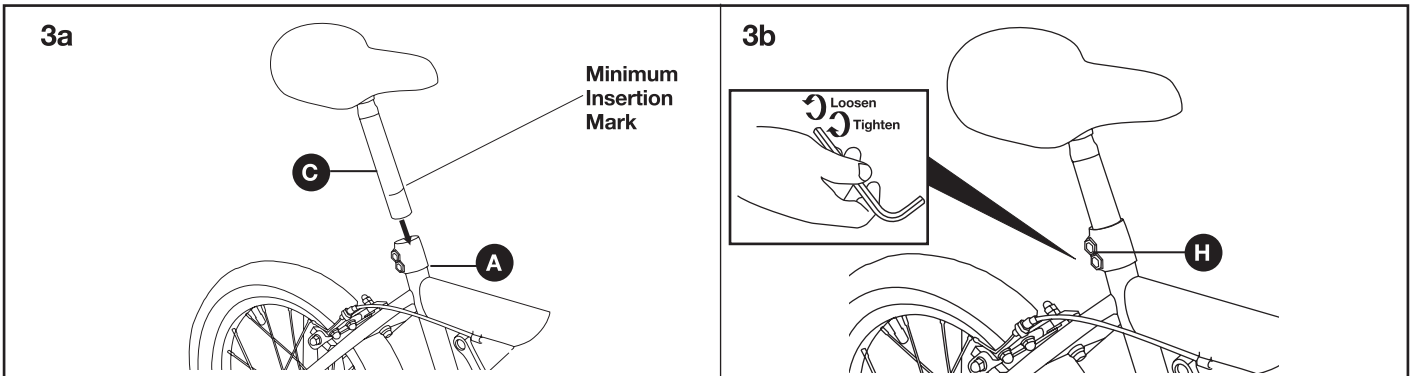


Check that the handlebars are correctly positioned in relation to the front wheel. Adjust the alignment if necessary and then ensure that the handlebar expander bolt is tightened.



**WARNING!** Ensure that the cables are not tangled or twisted as this may affect braking performance.

## Step 3



### 3a Insert the Seat Post and Saddle

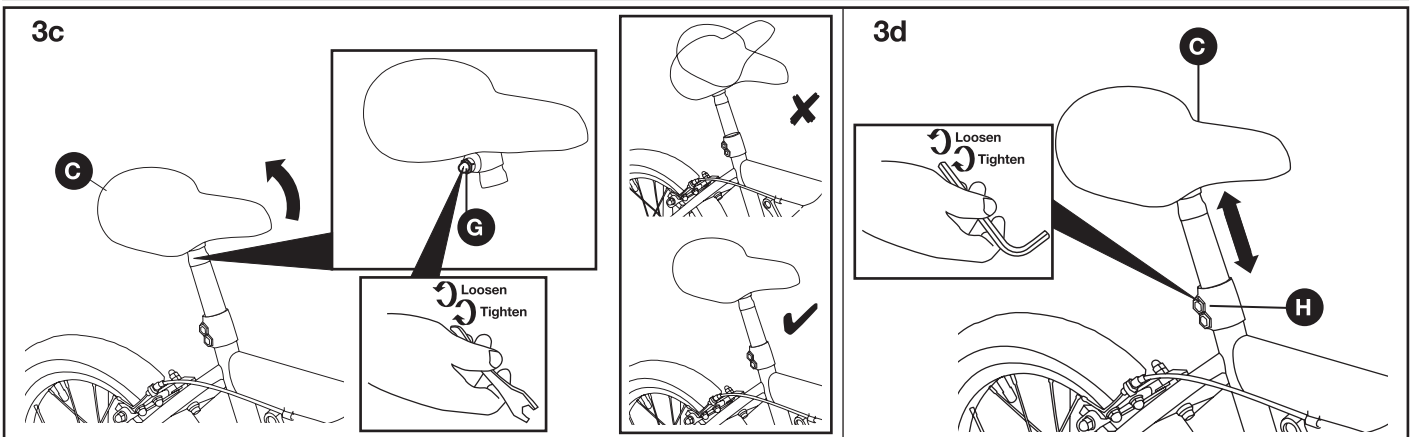


**WARNING!** When assembling the seat post, make sure it is inserted beyond the minimum insert mark. Failure to observe this warning may lead to a potentially unstable seat post and may result in serious personal injury.

Insert the lower end of the seat post and saddle **C** into the seat tube of the bike **A**

### 3b Securing the Seat Post

Tighten the clamp **C** with the hexagonal key provided. Ensure saddle is tightly in position.



### 3c Adjusting the Position of the Saddle

The angle of the saddle **C** should be adjusted so that it is horizontal to the floor. To adjust the tilt of the saddle, loosen the saddle clamp nuts **G** a quarter of a turn at a time using the multi tool supplied until the saddle can be moved.

If required, the saddle **C** can be moved forwards or backwards on the seat post while the saddle clamp nuts **G** are loose.

Once the saddle **C** is positioned correctly, retighten the saddle clamp nuts (G).

### 3d Adjusting the Height of the Saddle

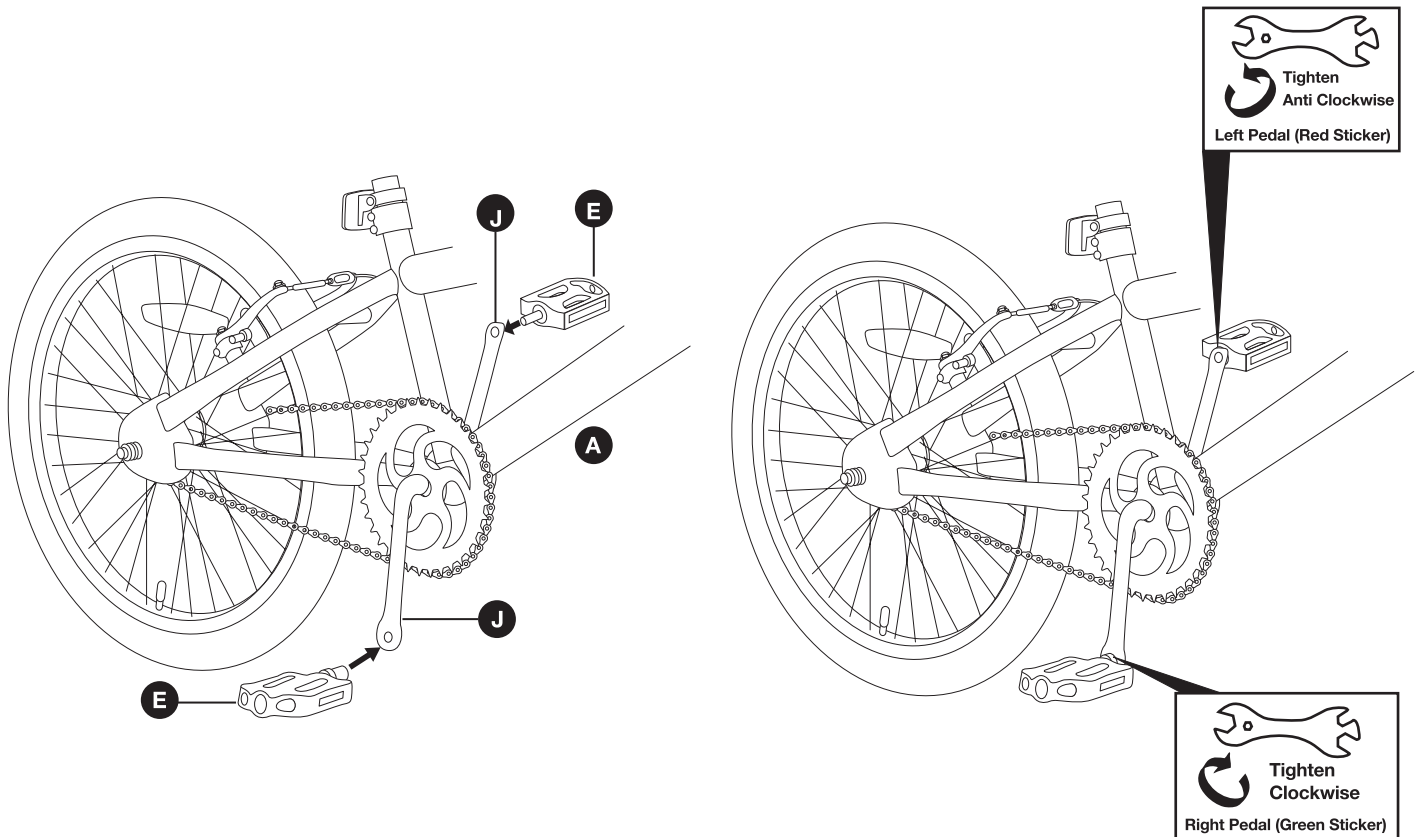
The height of the saddle **C** should be adjusted so that the Rider can comfortably touch the ground with both feet. To adjust the height of the saddle **C**, loosen the seat post clamp **H** until the seat post can move freely **H**.



**WARNING!** When assembling the seat post, make sure it is inserted beyond the minimum insert mark. Failure to observe this warning may lead to a potentially unstable seat post and may result in serious personal injury.



## Step 4



**NOTE** **NOTE!** The pedals **E** and crank arms **J** have colour coded stickers to indicate which pedal **E** matches which crank arm **J**.

**NOTE!** The threads on the left and right pedals are different. To prevent damage to the threads, only tighten the pedals in the direction indicated on the stickers.

### 4a Fitting the Right Hand Pedal

Locate the right hand pedal **E**. This will have a green sticker attached.

Locate the right hand crank arm **J** on the bike **A**. This will also have a green sticker attached.

Remove the sticker from the right hand pedal **E**.

Insert the threaded shaft of the right hand pedal **E** into the threaded hole of the right hand crank arm **J**. Initially tighten the pedal using only your fingers in the direction indicated on the colour coded stickers. Fully tighten using the multitool supplied.

### 4b Fitting the Left Hand Pedal

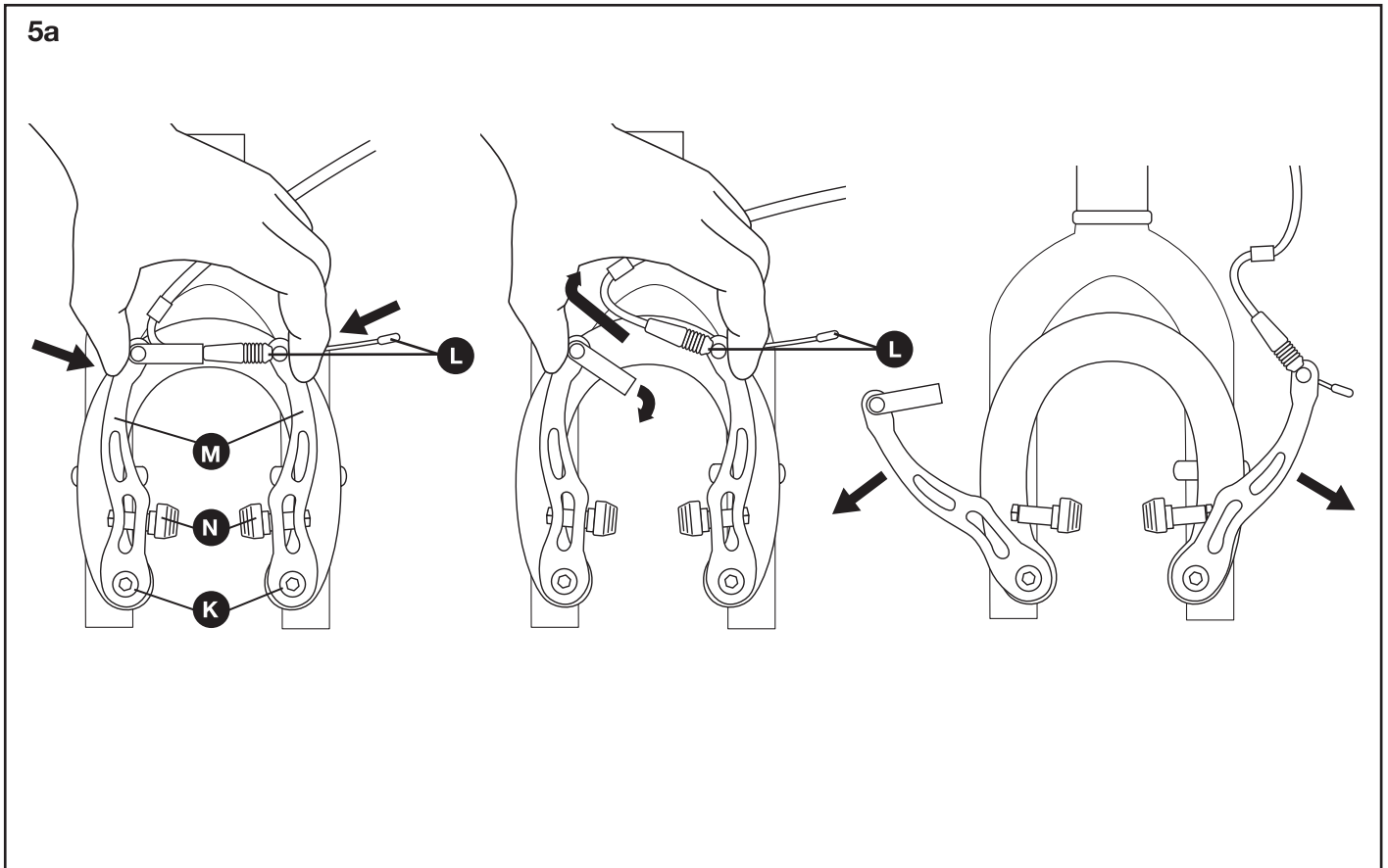
Locate the left hand pedal **E**. This will have a red sticker attached.

Locate the left hand crank arm **J** on the bike **A**. This will also have a red sticker attached.

Remove the sticker from the left hand pedal **E**.

Insert the threaded shaft of the left hand pedal **E** into the threaded hole of the left hand crank arm **J**. Initially tighten the pedal using only your fingers in the direction indicated on the colour coded stickers. Fully tighten using the multitool supplied.

## Step 5



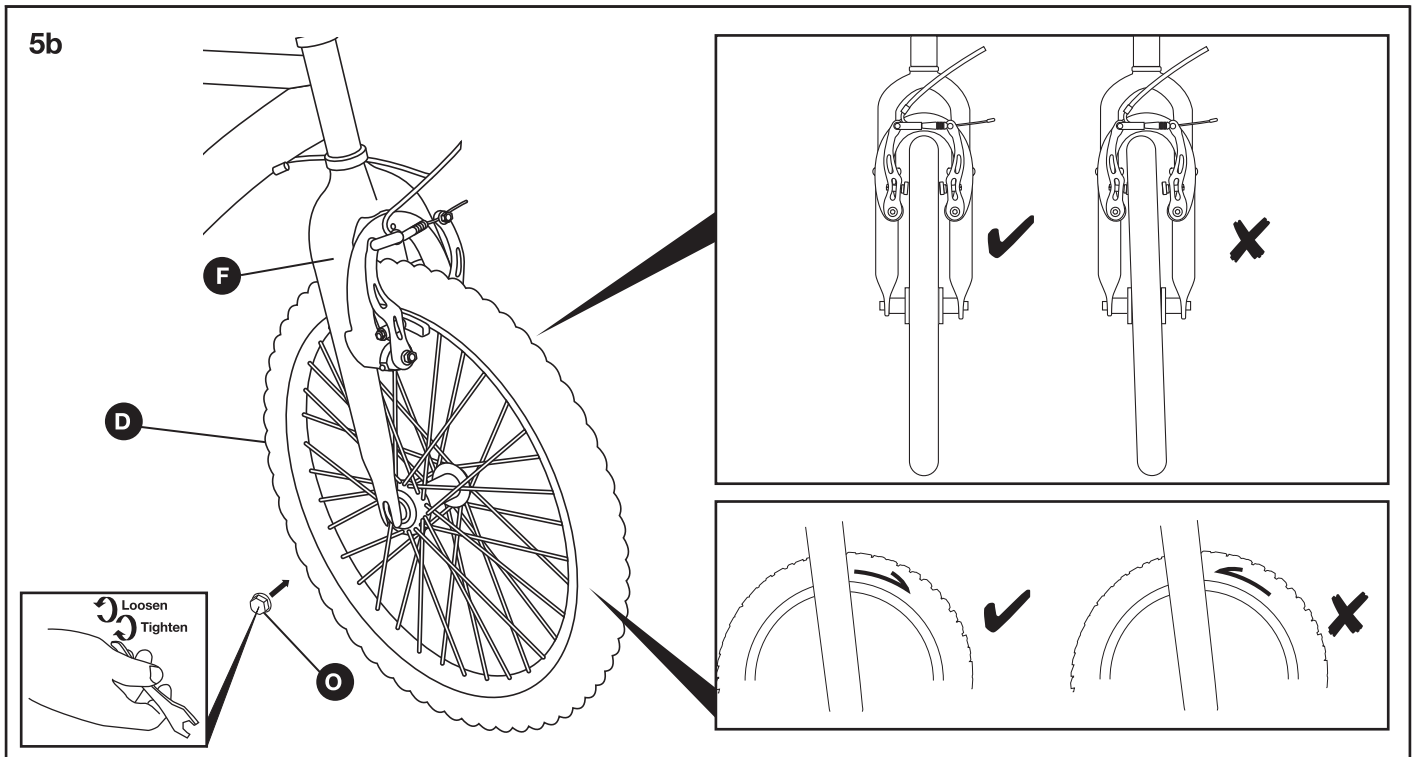
### 5a Disconnect the Front Brake

Before the front wheel **D** can be installed, the front brake **K** must be disconnected. This allows the front tyre **D** to pass between the brake pads **N** during assembly.

Squeeze the two arms **M** of the front brake **K** together with one hand.

Using your other hand, pull the guide pipe and cable **L** across and up to release it from the right hand arm.

## Step 5 (continued)



### 5b Insert the Wheel

Loosen the wheel nuts **O** on both ends of the front wheel **D** axle.

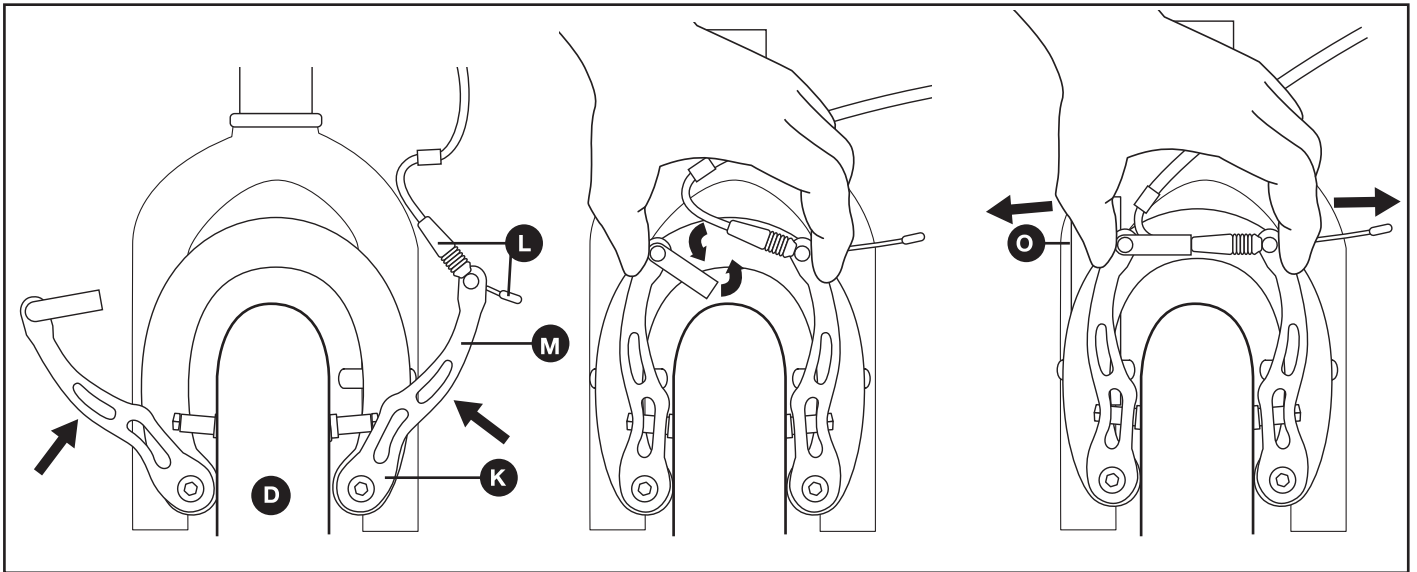
Insert the axle of the front wheel **D** into the slots at the bottom of the forks **F**.



**NOTE!** The tyres may have a 'Direction of Rotation' arrow embossed on the side. When the front wheel **D** is assembled, the arrow should be pointing in the direction that the wheel will rotate.

While ensuring the wheel is centralised in the forks **F**, fully tighten the wheel nuts **O** using the supplied multitool.

## Step 5 (continued)



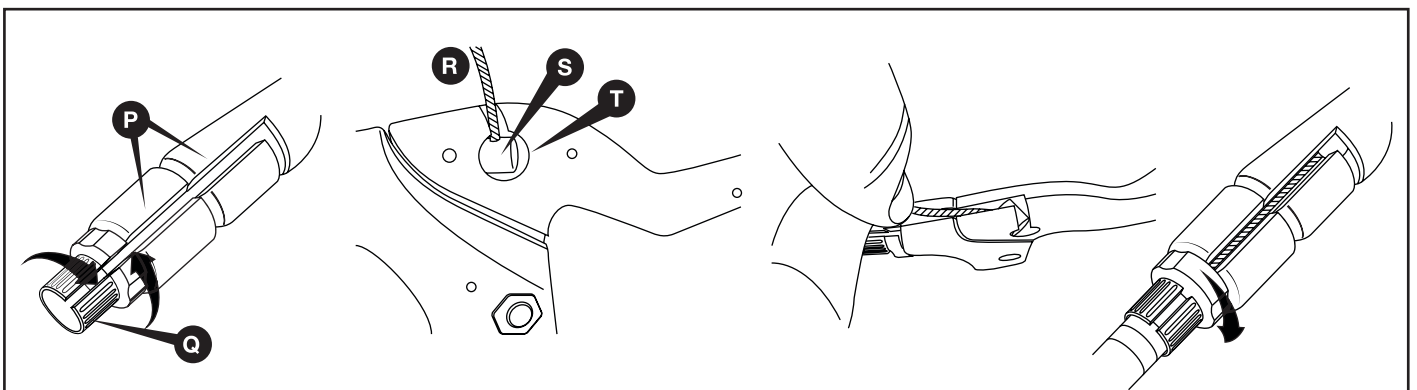
### 5c Refit the Front Brake

Squeeze the two arms **M** of the front brake **K** together with one hand.

Using your other hand, locate the guide pipe and cable **L** into retaining plate slot of the right hand arm.

Once the guide pipe and cable **L** is located, release the pressure on the two arms **M**.

Check that the front wheel **D** rotates freely. If it does not, the front wheel **D** may not be located centrally between the suspension forks **O**. Alternatively, the front brakes may need adjusting. Please refer to the supplied Maintenance Manual.

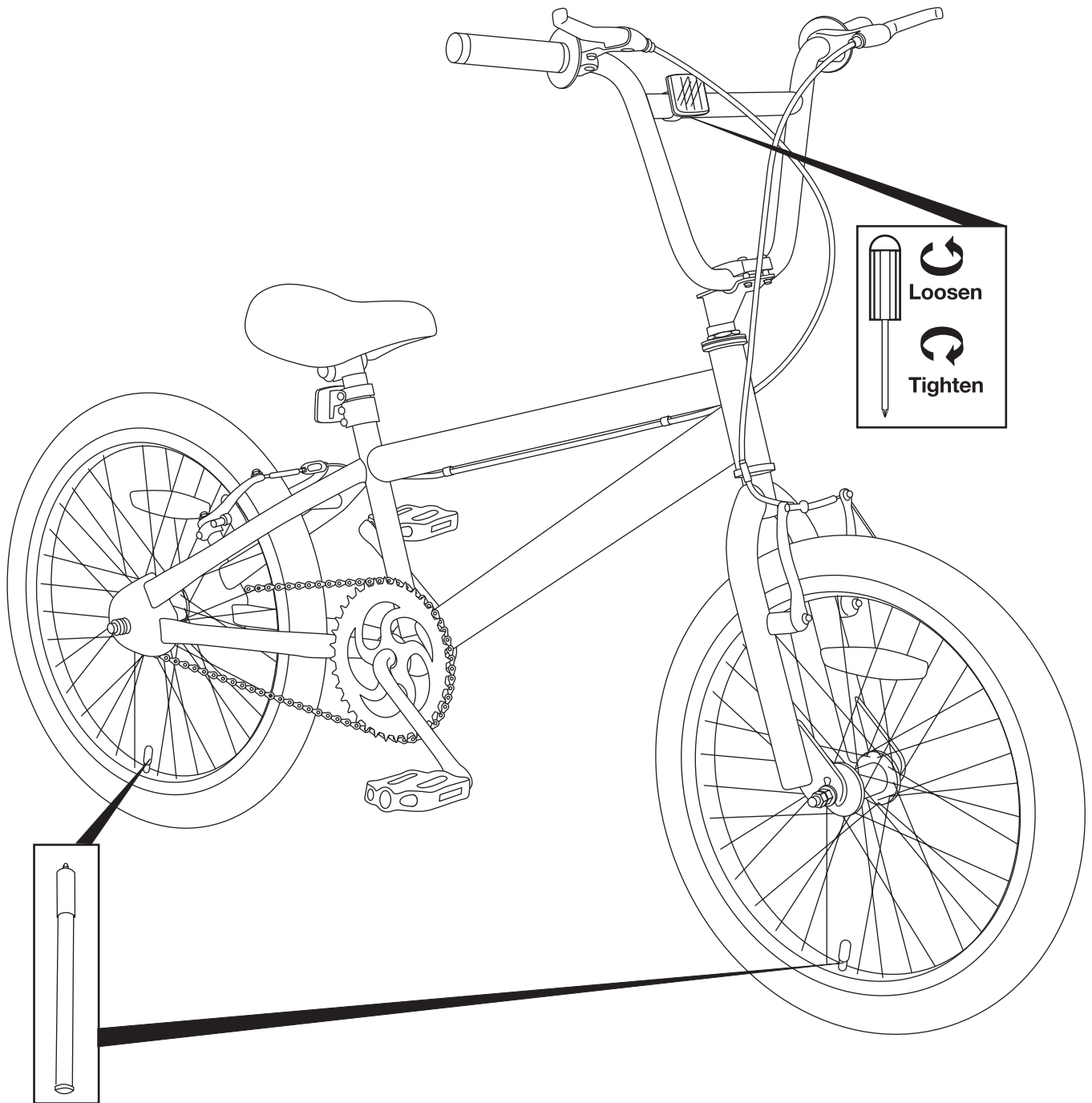


### 5d Attach Brake Cable to the Brake Lever

On the under side of the brake lever **P** align the metal grub screw **Q** so the channel is inline with the channel on the lever.

Slide the metal barrel **S** into the round hole **T** then feed the exposed metal wire **R** along the channel. Tighten the wider grub screw to prevent the cable coming loose. Adjustment of the brakes can be done at the wheel ends of the cable.

## Step 6



### 6 Inflate the Front and Rear Tyres

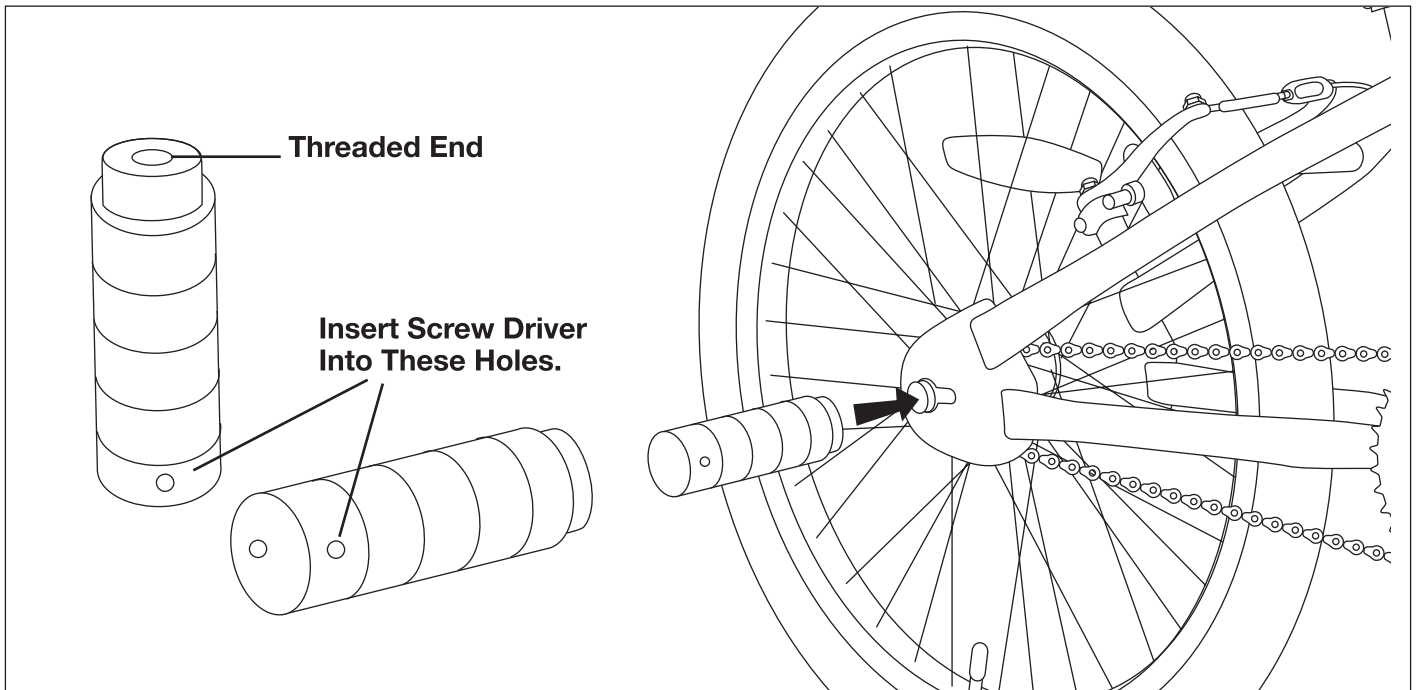


**WARNING!** The front and rear tyres must be fully inflated before attempting to ride the bike. Under no circumstances should the tyres be inflated above the maximum pressure stated on the side of the tyres.

**WARNING!** Only inflate the front and rear tyres using a bicycle pump. Do not attempt to use another type of pump to inflate the tyres.

Before riding the bike, the front and rear tyres must be fully inflated to the pressures indicated on the side of the tyre.

## Step 7



### 7 Peg Attachment.



**NOTE!** Pegs are provided with the Link bike only.

Ensure that the wheels are securely attached.

Thread the axle pegs onto the threaded end of the axle and tighten until secure using a screwdriver for extra leverage.

## Before Riding

You should perform the following checks before riding your bike to ensure it is safe to use and operating correctly.

### **1. Is the Saddle Secure?**

While standing next to the bike, try and move the saddle from side to side. If the saddle moves you should retighten the seat post bolt or the saddle clamp nuts.

### **2. Are the Front and Rear Tyres Inflated Correctly?**

Squeeze the sides of the front and rear tyres. If they are soft they will need inflating. Re-inflate to the pressure indicated on the sides of the tyres using an approved bicycle pump.

### **3. Are the Pedals Tight?**

Using the supplied multitool, ensure both the left and right pedals are fully tight. Remember that the threaded shafts of the left and right pedals tighten in different directions.

### **4. Do the Brakes Work?**

Stand next to the bike and apply the front brake and push forwards. If the wheels move, the front brake may not be working correctly. If required, adjust the front brake as described in the Maintenance Manual.

Repeat the above check for the rear brake.

### **5. Do the Handlebars Move?**

Hold the front wheel between your legs and try to move the handlebars. If the handlebars move, the stem bolt may have become loose. Retighten the stem bolt.

### **6. Is the Bike Clean?**

The bike should be cleaned and re-oiled regularly to ensure it operates correctly.

## Using the Brakes

The bike is fitted with front and rear brakes to stop the bike effectively.

The brakes are operated using two brake levers mounted on the handle bars.

## Riding Using Personal Music Players

It is recommended that personal music players are not used while riding a bike. These devices prevent you from hearing approaching vehicles and may prove to be a distraction.

## Riding in Bad Weather



**WARNING!** Always take extra care when riding in wet, foggy, windy or icy conditions. The brakes may not be as effective and the braking distances may be increased.

When riding in bad weather i.e. wet, foggy, windy or icy, always wear bright, reflective clothing which is warm and waterproof.

You should always give other road users clear signals in plenty of time particularly when approaching junctions. Always brake earlier than you would in the dry as the required braking distance will be increased.

Be aware that all types of surface become greasy or slippery in bad weather. Do not turn or brake suddenly.

## Riding in the Dark



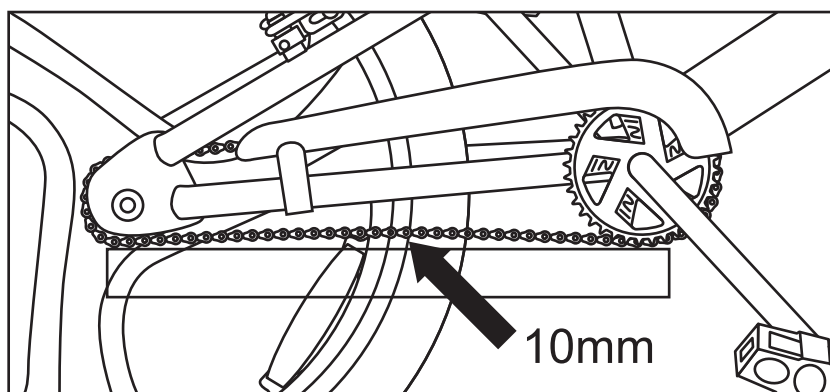
**WARNING!** When riding in the dark, always make sure that the bike is fitted with suitable reflectors and a white front light and a red rear light.

It is essential that other road users can clearly see you when riding in the dark. Always wear bright, reflective clothing. Suitable reflectors should be fitted to the front and rear of the bike and if possible the wheels. A white light must be fitted to the front of the bike and a red light at the rear.

Before starting any journey in the dark or even twilight, ensure the lights are working correctly and are turned on.

Clean lights and reflectors regularly and make sure they can be seen from a distance.

**Chain:** The chain should have approximately 10mm (3/8") of vertical movement when checked in the centre between the front and rear sprockets. To adjust the chain tension, slightly loosen the rear axle nuts and either pull the rear wheel backwards if the chain is too loose, or push it forwards if the chain is too tight. Before securely re-tightening the rear axle nuts make sure that the chain is correctly tensioned and the rear wheel runs centrally. Oil your chain sparingly once a month by revolving the pedal cranks and apply to each link. Wipe away excess oil with a dry cloth.



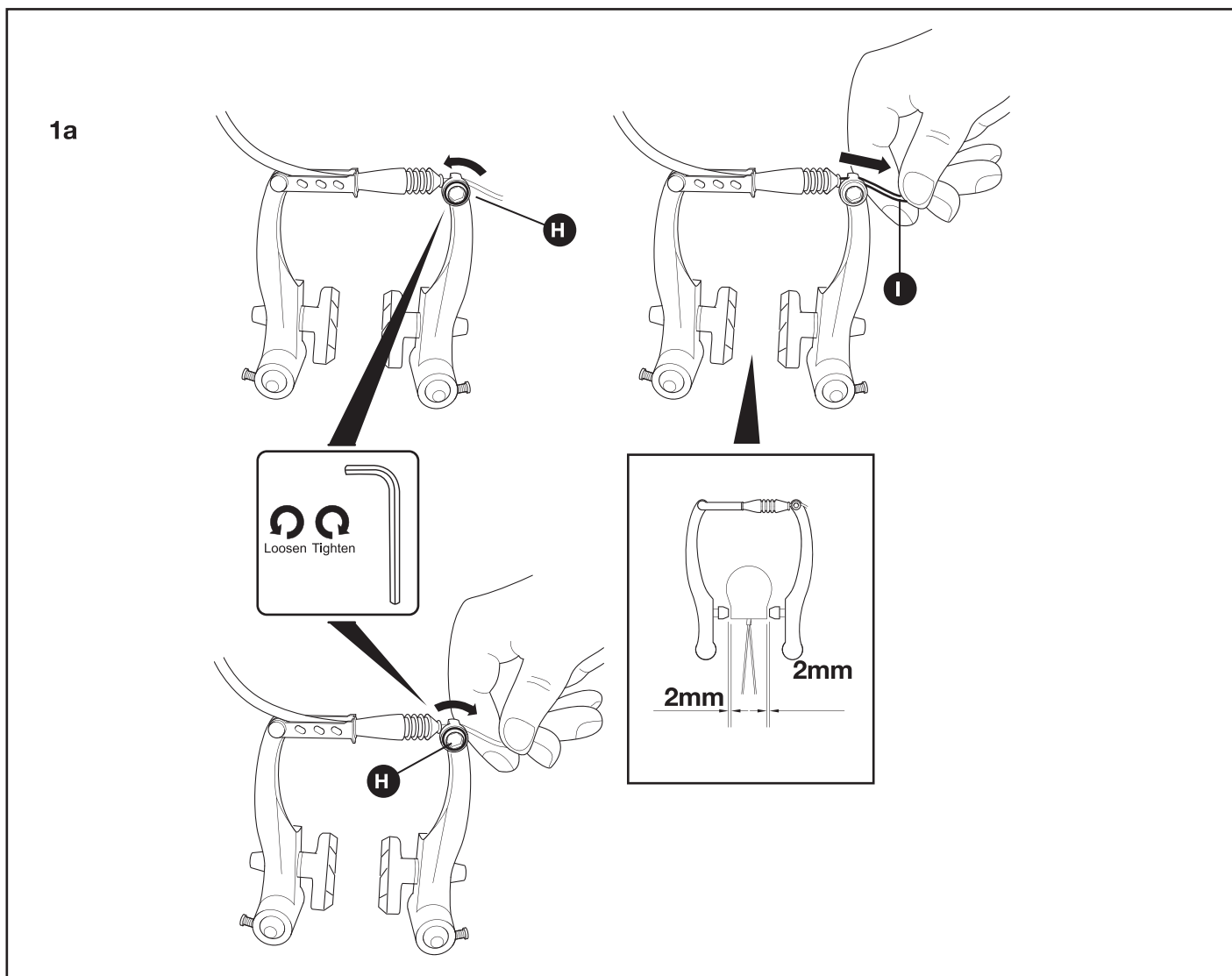
Important: ONLY use bike-specific lubricants for your bike. There are available from all bike shops. Do NOT use multi-purpose oils or very light spray lubricants, as these will attract dirt and cause premature wear to components.



## Adjusting V-Brakes

Throughout the life of your bike, the front and rear v-brakes may need adjusting if the brake cable has stretched or the brake arms have been knocked during use.

### Adjusting V-Brake Cable Tension



#### 1a. Adjust the Brake Cable

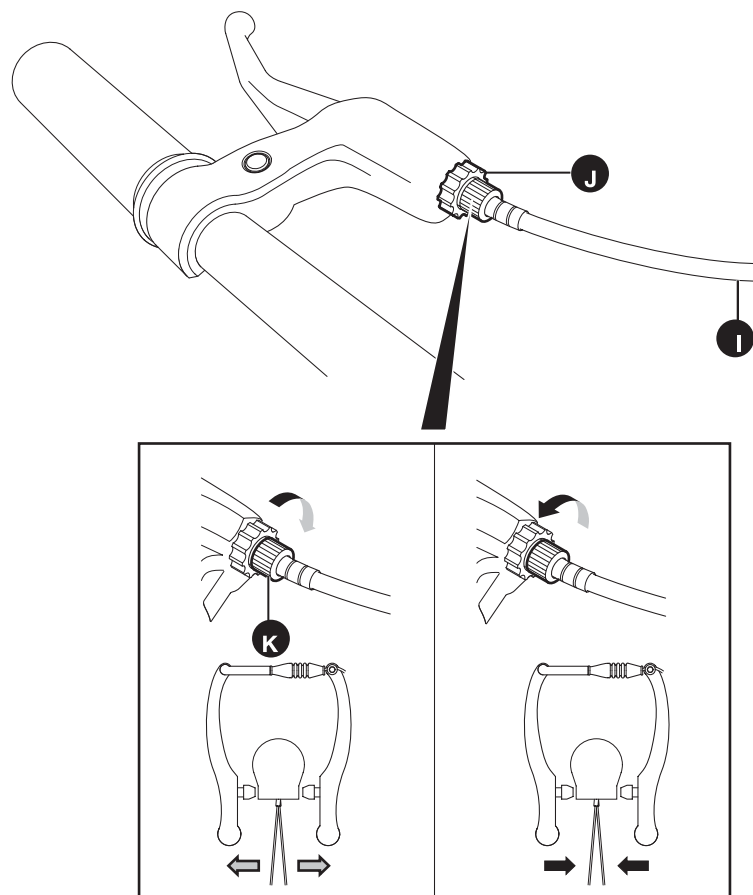
The brake cable must be adjusted to ensure that the brakes are as close as possible to the wheel rim when no pressure is applied to the brake lever.

Using a suitable spanner or socket, loosen the cable pinch bolt **H** until the brake cable **I** is free to move.

Pull the brake cable **I** until the brake pads are approximately 2mm/ 0.16" inch from the wheel rim.

Retighten the cable pinch bolt **H** while holding the brake cable in position.

## Adjusting V-Brake Cable Tension (continued)



### 1b. Fine Tune the Cable Tension

If the brake pads are too close or too far away from the wheel rim once the brake cable has been adjusted in step 1a, fine tune the cable tension as described below.

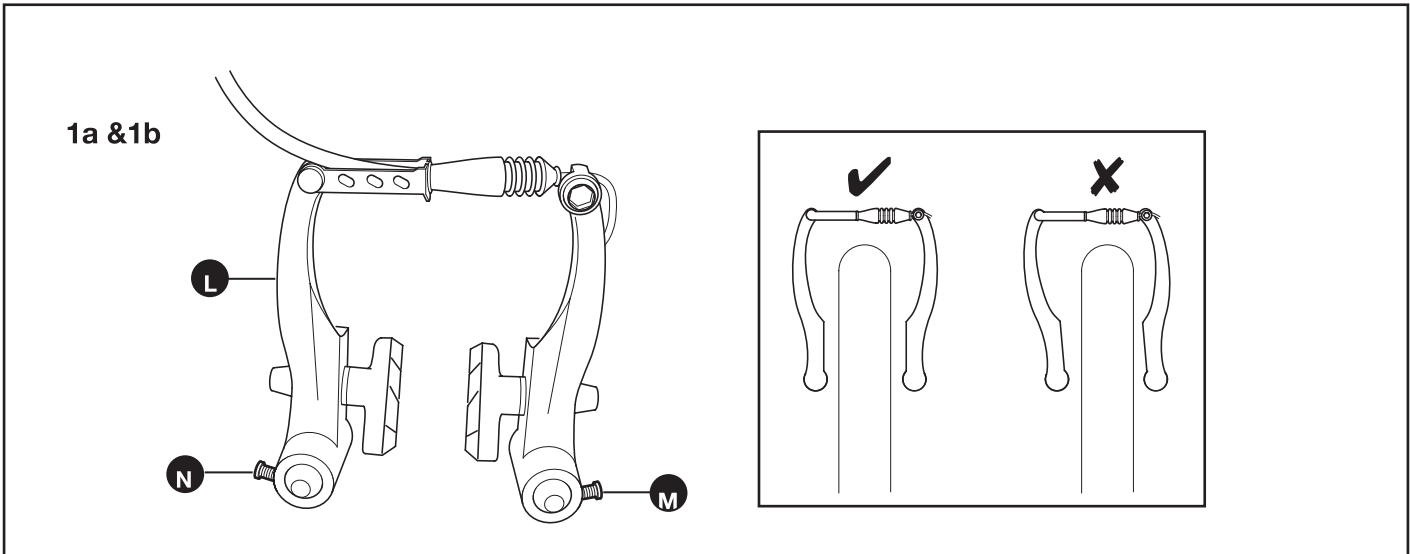
Unscrew the barrel adjuster locking nut **J** by turning it anti-clockwise.

Turn the barrel adjuster bolt to increase or decrease the cable tension. This will fine tune the position of the brakes.

- To increase the tension on the brake cable and move the brakes towards the wheel rim, turn the barrel adjuster bolt **K** anti-clockwise.
- To decrease the tension on the brake cable **I** and move the brakes away from the wheel rim, turn the barrel adjuster bolt **K** clockwise.

Once the cable tension is correct, retighten the barrel adjuster locking nut **J**.

## Adjusting the V-Brake Spring Tension



### 1b. Fine Tune the Cable Tension

Over time, the brake arms can begin to lean to one side, making the distance between the brake pads and the wheel rim uneven. This can be corrected by adjusting the spring tension of the individual brake arm.



**NOTE!** When adjusting the spring tension, even adjustments should be made to both brake arms **J** until they are positioned evenly on either side of the wheel and rim.

#### 1a. Adjusting the Spring Tension on the Right Hand Brake Arm.

If the brake arms **L** lean to the right (when viewed from the front of the bike), the right hand brake arm spring tension should be reduced. This can be achieved by turning the right spring tension screw **M** anti-clockwise.

If the brake arms **L** lean to the left (when viewed from the front of the bike), the right hand brake arm spring tension should be increased. This can be achieved by turning the right spring tension screw **M** clockwise.

#### 1b. Adjusting the Spring Tension on the Left Hand Brake Arm.

If the brake arms **L** lean to the right (when viewed from the front of the bike), the left hand brake arm spring tension should be increased. This can be achieved by turning the left spring tension screw **N** clockwise.

If the brake arms **L** lean to the left (when viewed from the front of the bike), the left hand brake arm spring tension should be decreased. This can be achieved by turning the left spring tension screw **N** anti-clockwise.

## Inspecting and Maintaining the Wheels

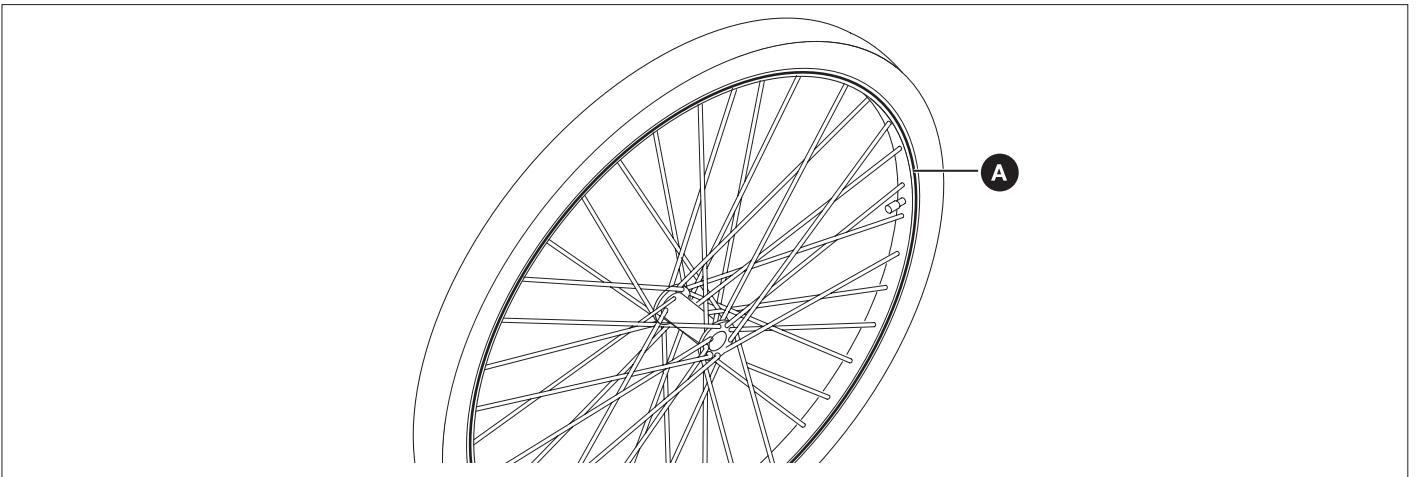
It is essential that you regularly inspect and maintain your wheels, especially if your bike becomes unstable or vibrates while riding.

### 1a. Inspect the Trueness of the Wheels

Over the life of the bike, the wheels may begin to run out of true, i.e. they may become buckled. This is when the wheel rim moves from side to side.

To check the trueness of a wheel, lift the bike up and spin the wheel. If the wheel wobbles, it is out of true and will need repairing.

Repairing wheels requires specialist tools. It is recommended that all wheels are trued by qualified bike repair technicians. Contact your local retailer for more information on wheel repairs.



### 1b. Inspect the Rim Wear



**WARNING!** If any section of the wheel rim wear groove is no longer visible, the wheel rim should be replaced immediately. Do not attempt to ride the bike until the rim is replaced as the braking performance could be affected.

Each wheel features a wear groove **A** machined into the side of the rim. If the wear groove **A** is no longer visible, the wheel rim is worn and should be replaced immediately.

### 1c. Inspect the Wheel Bearings

Over the life of the bike, the wheel bearings may become loose and/or worn and will therefore need servicing.

To check the condition of the wheel bearing, grab the tyre of either the front or rear wheel while holding the bike securely. Vigorously move the tyre from side to side. If the wheel moves at the wheel hub (the centre of the wheel), the bearings may be worn.

Repairing bearings requires specialist tools. It is recommended that all bearings are repaired by qualified bike repair technicians. Contact your local retailer for more information on bearing repairs.